

Cylinder regulator FM51

spectro lab



Cylinder regulator FM51

Specifications

- SPECTROLAB-components guarantee maximum quality by using high grade materials and a quality assurance program acc. to ISO 9001.
- All parts in the gas wetted surface area are cleaned in an ultrasonic cleaning system (CFC-free) with the special Cleaning process SPECTRO-CLEAN® and then baked out.
- SPECTROLAB-components undergo a 100% function- and Helium-leak-test.

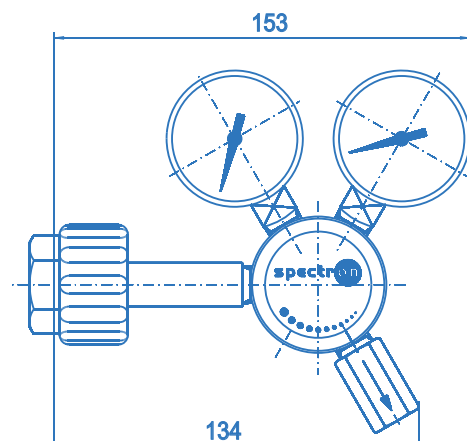
Product features

- Brass (chrome plated) cylinder pressure regulator
- For non-corrosive gases and gas mixtures up to quality 6.0
- 6 ports for flexible and individual configuration
- Very stable outlet pressure
- Suitable for inlet pressures up to 300 bar
- Max. outlet pressures 4 up to 200 bar
- Metal-to-metal seal to atmosphere
- Suitable for ECD-applications
- Inlet filter
- Tested for use with oxygen
- Simple outlet pressure limitation by handwheel
- Easy to install
- New laboratory-style design
- Ergonomically designed

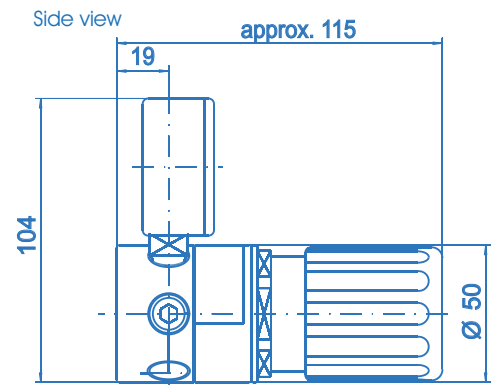
Technical data

Type	single-stage
Inlet pressure P_1	max. 300 bar
Outlet pressure P_2	4/10/20/50 100/150/200 bar
Materials	
Body regulator, relief valve:	chrome plated brass
Valve seat:	PA 6.6
Diaphragm:	Hastelloy C276
Filter:	Sintered SS 316L
In- and outlets	1/4" NPT-F
Temperature range	-30°C to +60°C
Leak rate (to atmosphere)	1×10^{-8} mbar l/s He
(via seat)	1×10^{-6} mbar l/s He
Pressure gauge	Safety pressure gauges EN562/K11.6/NG50
Flow capacity	$C_v=0.15$
Weight	1.2 kg

Dimensions
FM51



Side view



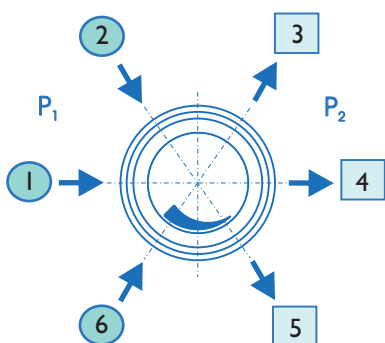
Cylinder regulator FM5 I



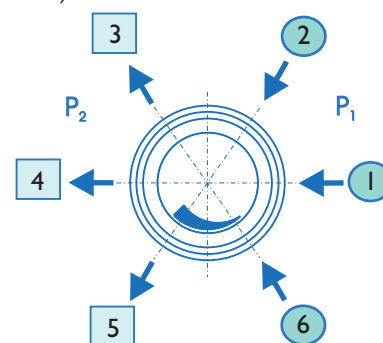
Ordering information:
Cylinder regulator FM5 I

In- / outlets

- CM 1/4 - 1/8" / 1/4" / 1/2" - OD compression fitting (brass)
- CM 6 - 3/6 / 8 / 10 / 12 mm compression fitting (brass)
- CE 1/4 - 1/8" / 1/4" / 1/2" - OD compression fitting (stainless steel)
- CE 6 - 3/6 / 8 / 10 / 12 mm compression fitting (stainless steel)
- B - plug
- A - relief valve - 1/4" - 18 NPT-F ($P_2 \leq 100$ bar)
- xxxx - detailed specification of cylinder connection including the relevant standard and number (e.g. BS no.3 for nitrogen up to 230 bar)
- K - contact gauge
- M - pressure gauge
- 0 - 1/4" - 18 NPT-F (port only)



Inlet left: **L**



Inlet right: **R**

FM5 I - L - 300 - 20 - 1 - 2 - 3 - 4 - 5 - 6 - N2

Inlet

- L - left
- R - right

Inlet pressure P_1

- 100 - max. 100 bar
- 200 - max. 200 bar
- 300 - max. 300 bar

Outlet pressure P_2

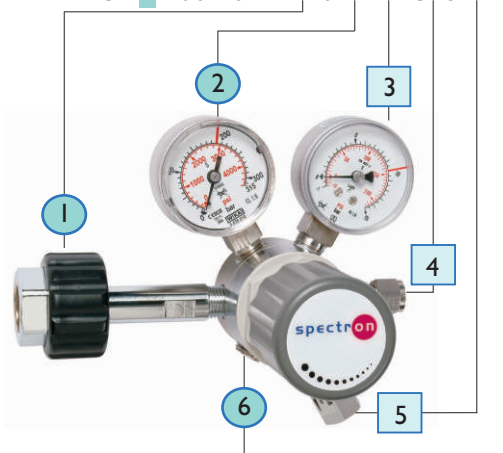
- 4 - to 4 bar
- 10 - to 10 bar
- 20 - to 20 bar
- 50 - to 50 bar
- 100 - to 100 bar
- 150 - to 150 bar
- 200 - to 200 bar

Type of gas

Please specify type of gas (for selection of valve seat materials)

Ordering example:

FM5 I - L - 200 - 10 - DIN 10 - M - M - CE 6 - A - B - N2



Ordering example:

FM5 I - R - 200 - 10 - CGA 540 - M - M - CE 1/8 - A - B - Ar

